

# 65 Series Stainless Steel Door

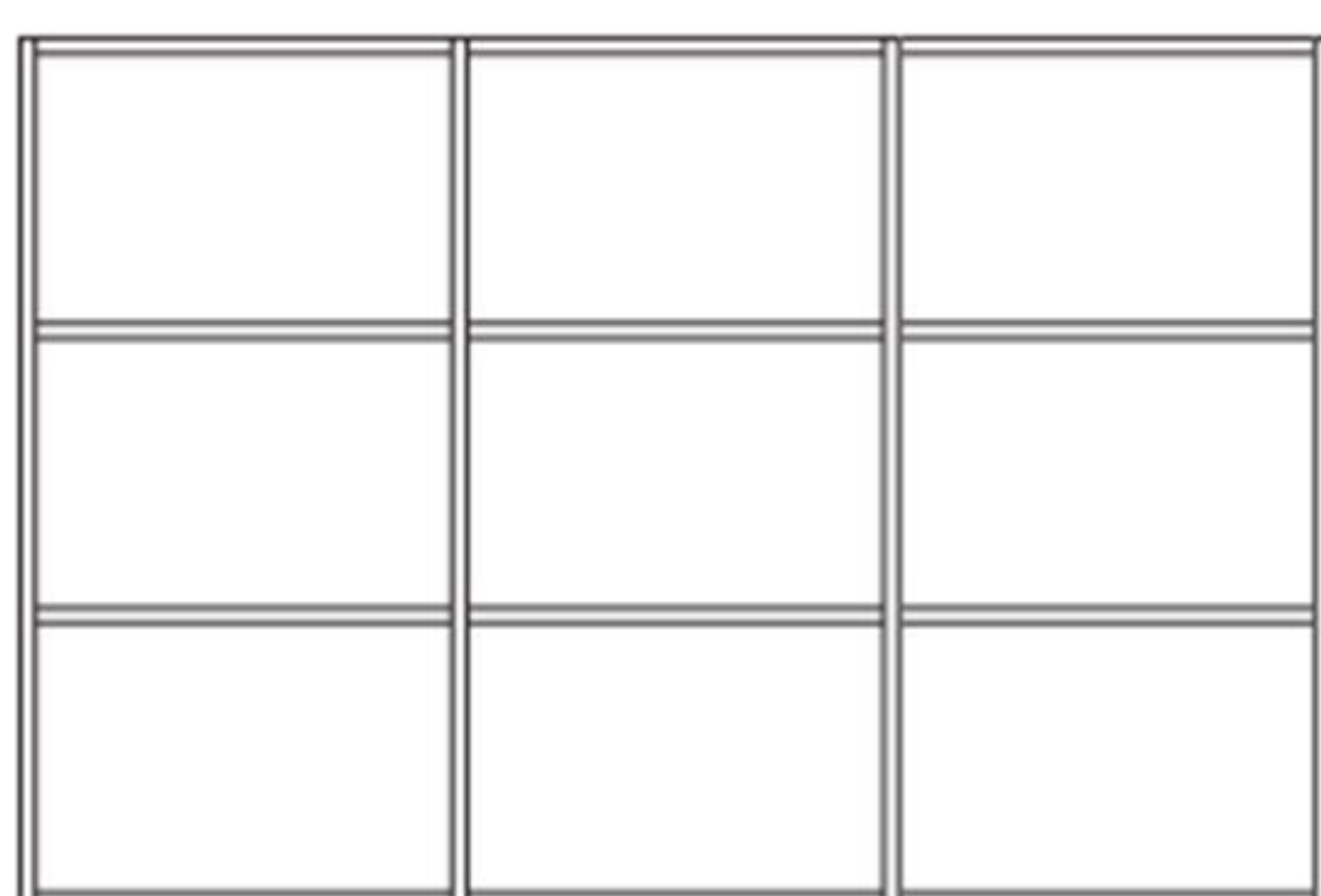
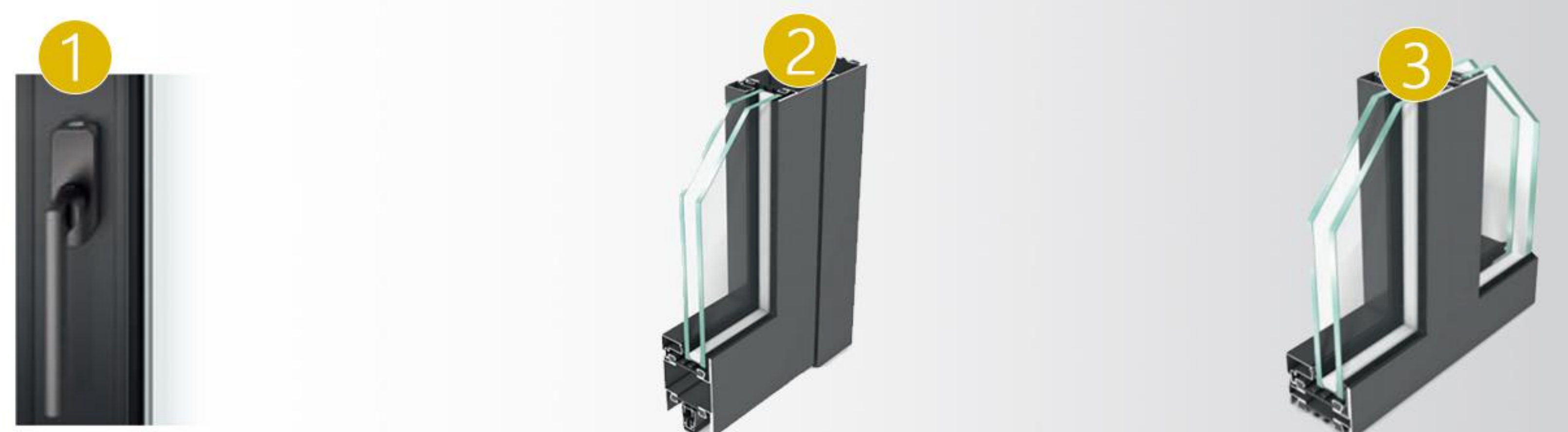
## Related Accessories Display:



High quality fireproof and smokeproof  
 Mechanical strength up to grade 4  
 Durability test up to 1,000,000 times  
 Heavy duty hinges up to 400kg  
 watertight up to grade E1050  
 Impact resistance up to ES/I5  
 Sound insulation performance  $\leq 49\text{dB}$   
 Wind pressure resistance up to C4  
 Strong anti-smoke performance



## Related Accessories Display:

- ① Black matte lockable handle
- ② Diagram of sample angle: door
- ③ Diagram of sample angle: partition



Material	Modulus of elasticity	Implications for architectural design
Steel	210.000	thin →  steel
Aluminium	70.000	→  aluminium
Wood	10.000 N/mm <sup>2</sup>	vast

### Efficient resource utilization

The high modulus of elasticity of steel allows profile sections for windows, doors and curtain walls to be realized with minimal material use.

### Extreme transparency

Large spans and small view widths: that's steel. In this way, larger grids and greater permeability can be realized.

### Durability

Steel windows, doors and curtain walls impress with their exceptional robustness in heavily trafficked and heavily used buildings and in extreme weather conditions.



# 80 Series Thermal Break Bi-folding Door

## Advantages

- Hardware automatic locking design, convenient, fast, stable, hinges join the plane bearing elements and adjust the door sagging microadjustment function, the upper suspension pulley components load-bearing parts with elastic elements, so that the door up and down the balanced force, high tenacity nylon pulley components, with stainless steel track use, so that the entire door folding and pushing and pulling the columns of lightweight, smoother!



## Related Accessories Display:



Door handle



Handle



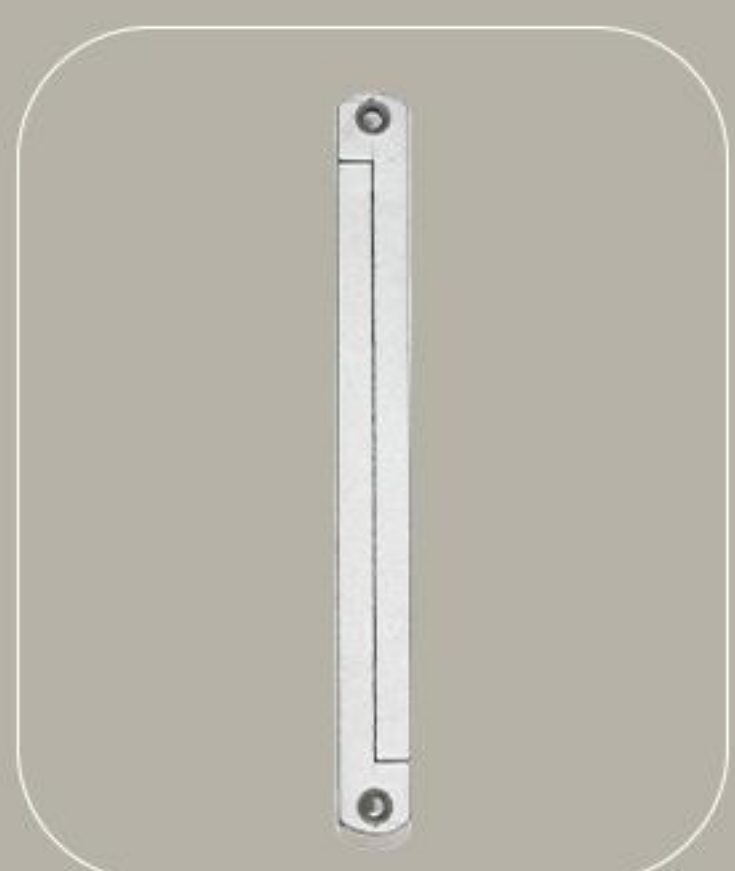
Toggle



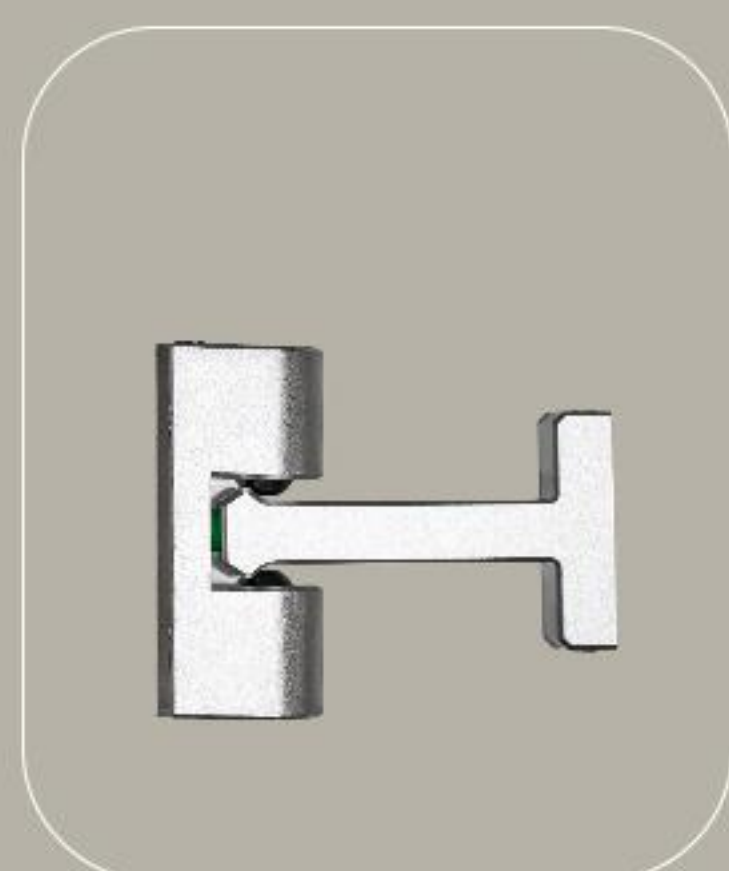
Hinge



Top bearing pulley 3+1



14.5 Bidirectional actuator



Clasp



Hinged Door Adjustable strike



Bottom bearing pulley 3+1



Handwheel cylinder



Latch tongue



Top Positioning



Top Positioning pulley



Bottom bearing pulley 2+2



Top bearing pulley 2+2



# 85 Series Hand Cranking Awning Window



## Advantages

- Insulation series multi-point locking system, keyless configuration, hardware for the linkage window opener + double side locking window multi-point locking, open and close smoothly, the frame fan is connected by friction hinges, excellent strength and sealing performance.

## Related accessories display:



Black Side Lock



Black window opener



16 inches sliding stay



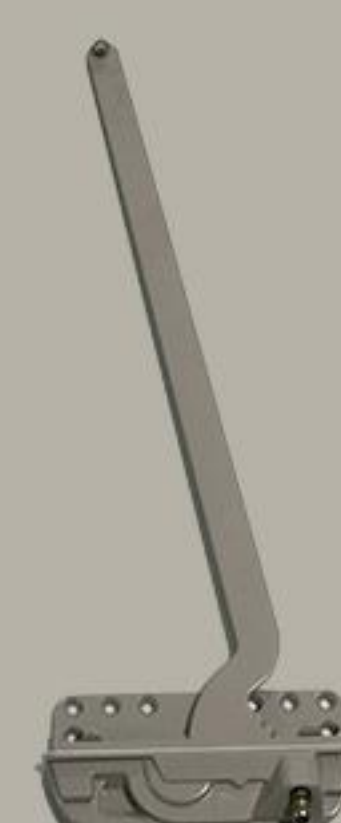
Two point lock bar



Retaining ring



Striker



Straight arm 12°



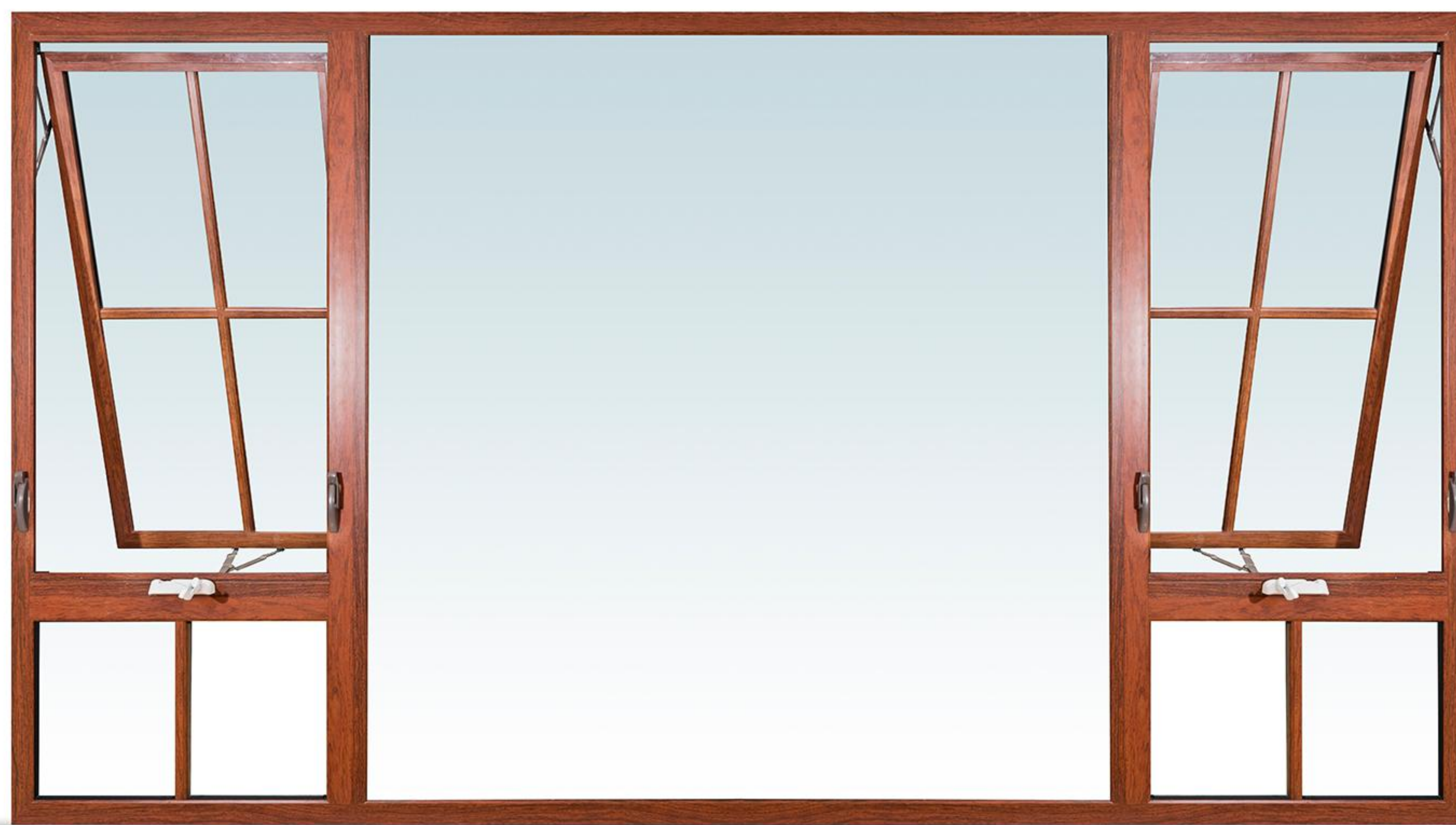
Medium-sized fixed block



# 85 Series hand cranking awning window

## Advantages

- Insulation series multi-point locking system, keyless configuration, hardware for the linkage window opener + double side locking window multi-point locking, open and close smoothly, the frame fan is connected by friction hinges, theExcellent strength and sealing performance.



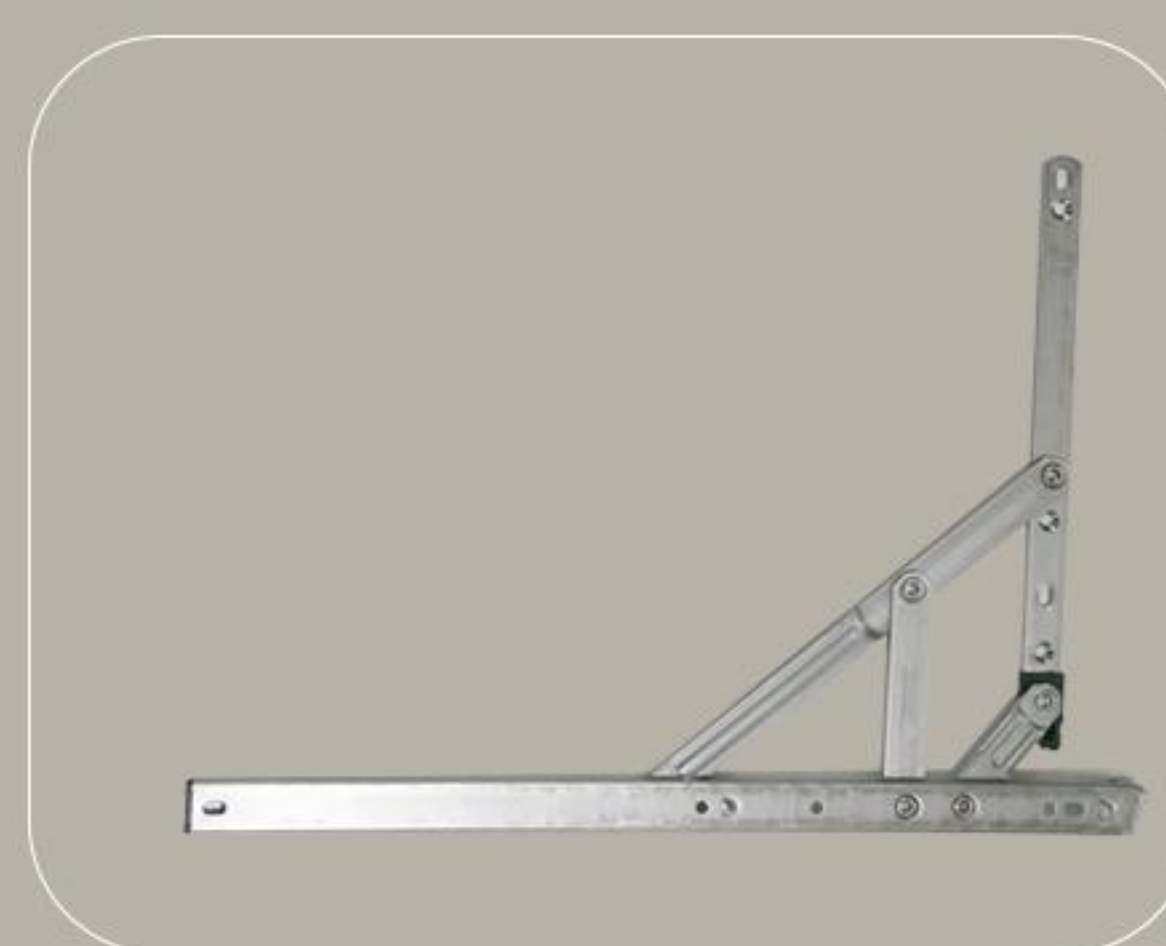
## Related accessories display:



Black Side Lock



Hand cranking window opener (handle)



(16 inches) sliding stay



retaining ring



single point striker



awning window sliding rail



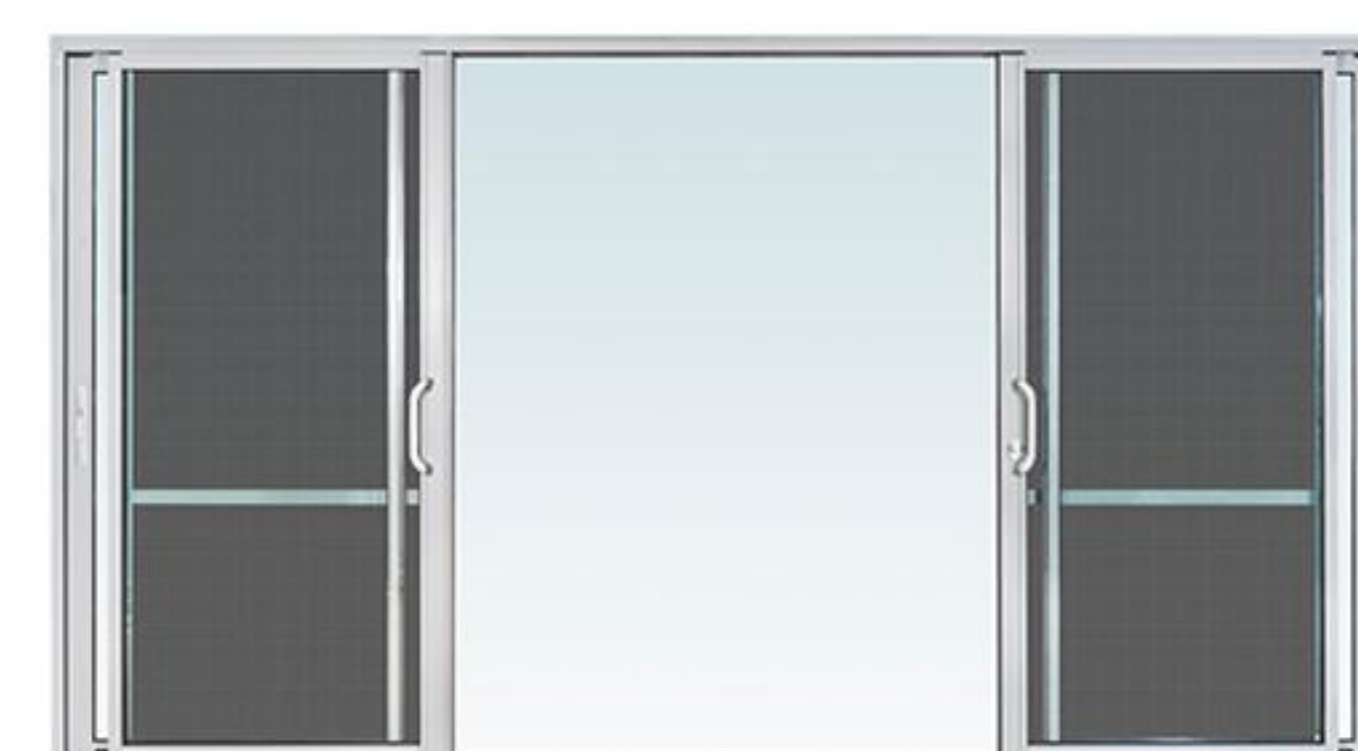
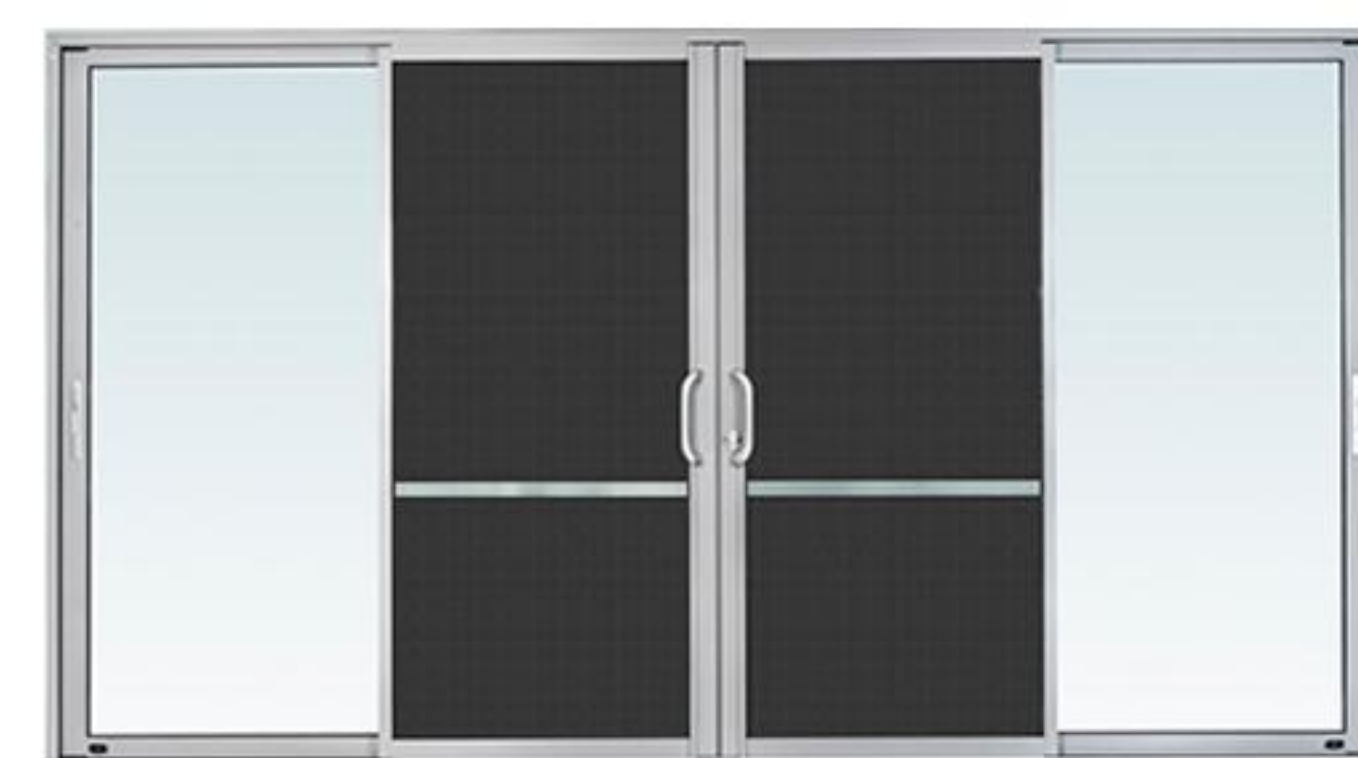
hand cranking window opener



# 100 Series Thermal Break Sliding Door-1

## Advantages

- The pulleys can be tested up to 100,000 cycles of pushing and pulling.
- Metro handle multi-point locking system can realize the same key to unlock, handwheel lock cylinder key can be common to flush door handwheel lock cylinder.
- London handle configuration multi-point hook lock double locking system, four hook design, enhance the strength of the whole door design, each lock hook can withstand more than 1000N destructive force, multi-point anti-pry rivets plus stainless steel panel to increase the strength of the clock level gear transmission design, smooth operation and mute, handle for high-strength aluminum a high-tight molding, the appearance of a unique linear and smooth, comfortable hand grip!
- Metro handle multi-point lock, to the essence of simplicity, subverting the traditional handle locking method, at the same time with the function of the handle and lock, the lock cylinder and the handle as a whole, the appearance of simple and beautiful, push the grip area is large, the operation is comfortable, and the lock cylinder and the handle are integrated.



## Related accessories display:



London Handle



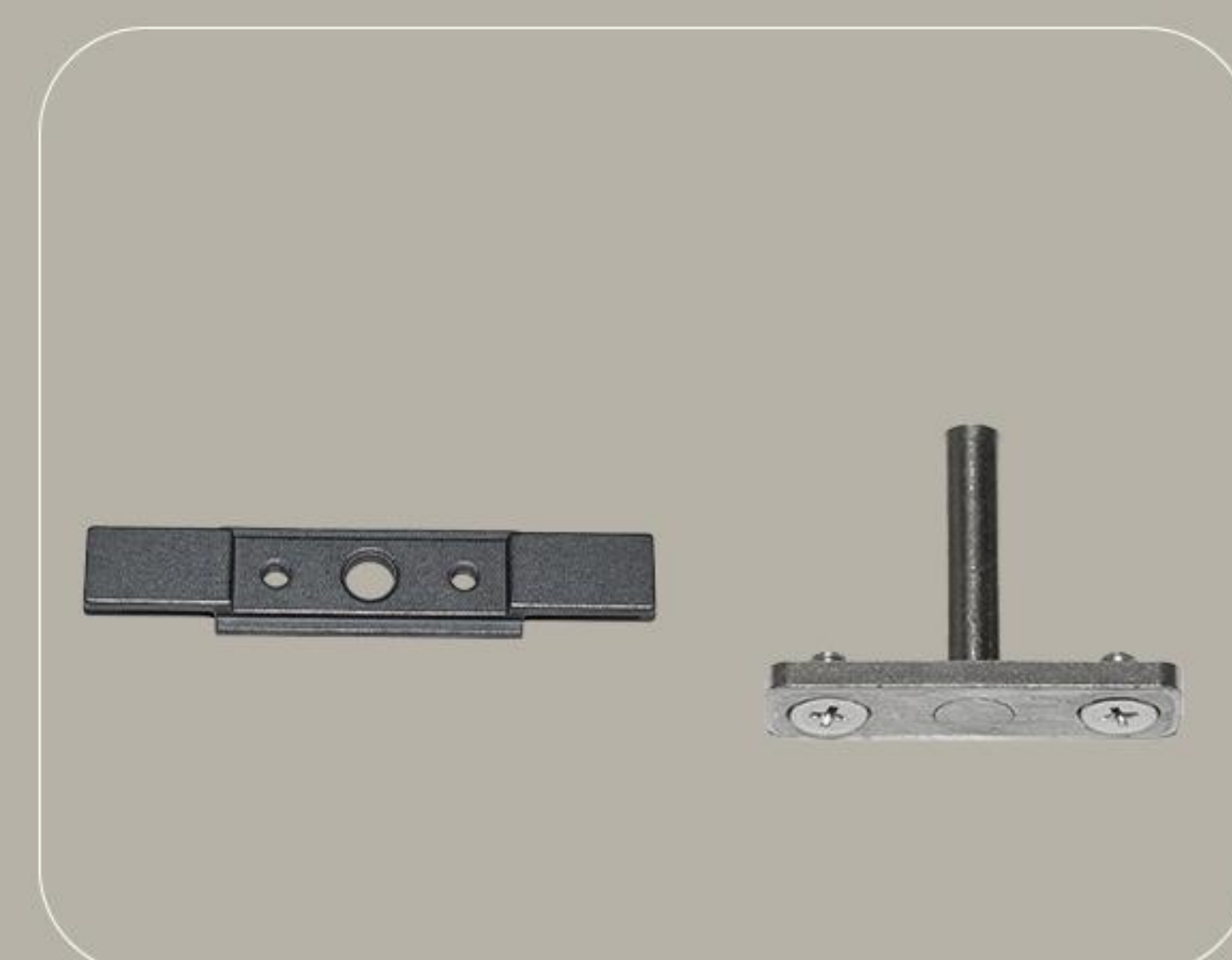
Metro Handle



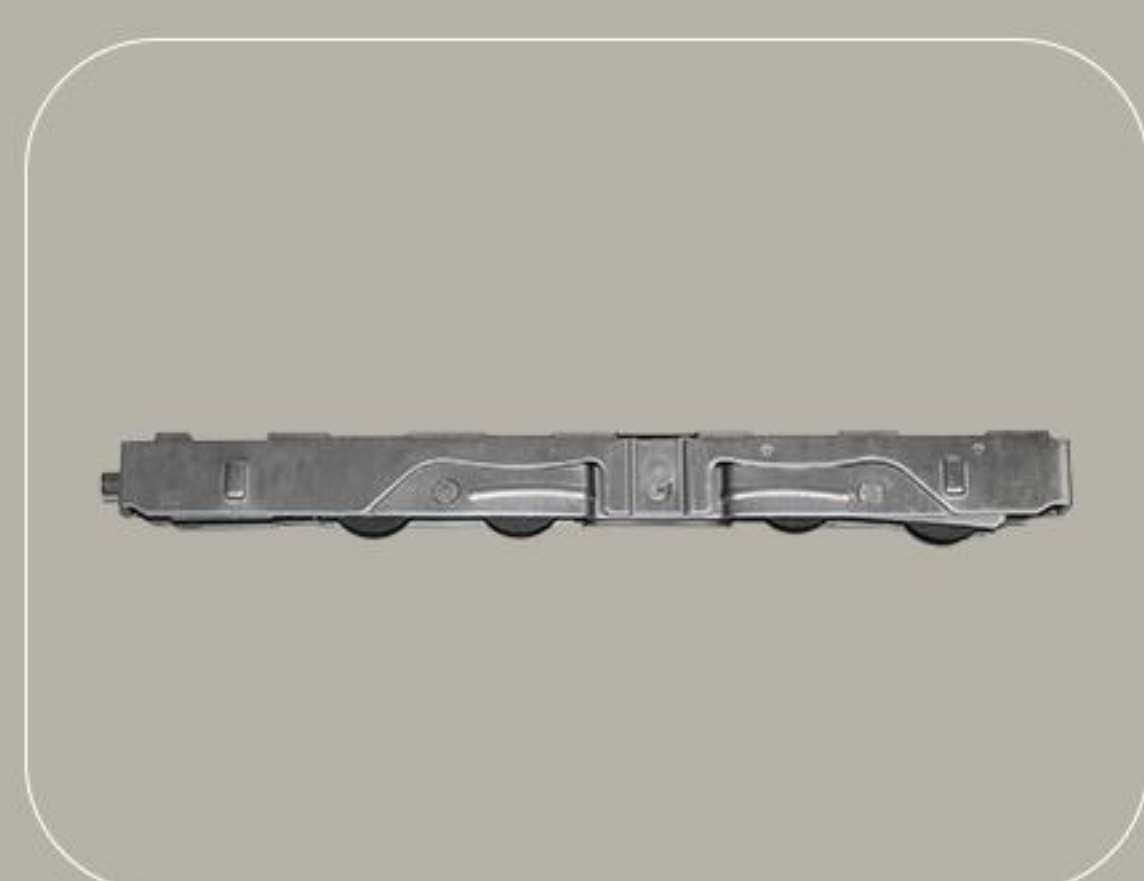
Lift and Sliding door handle



New adjustable push-pull lock rod



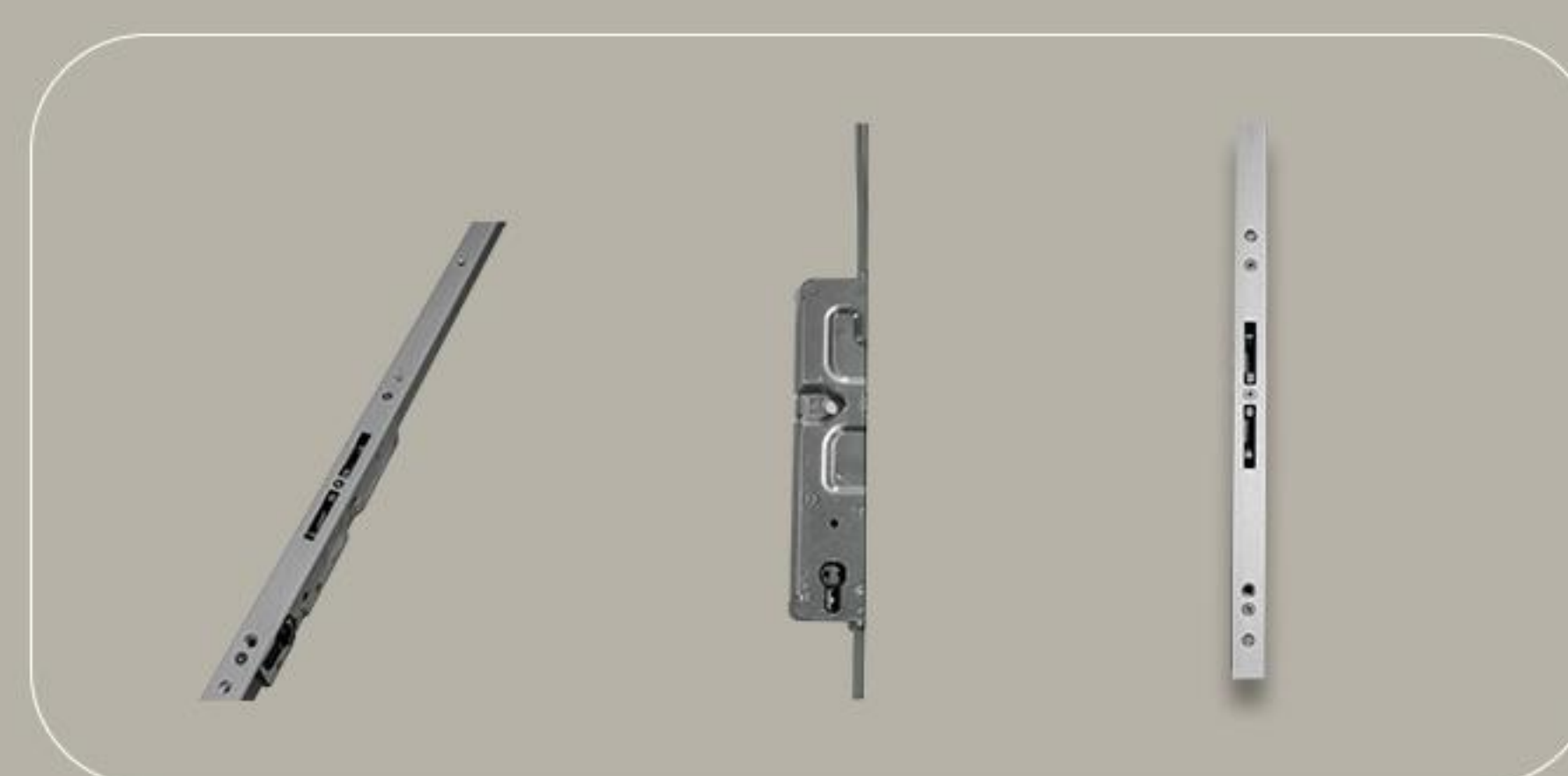
32MM middle drive



Door pulley



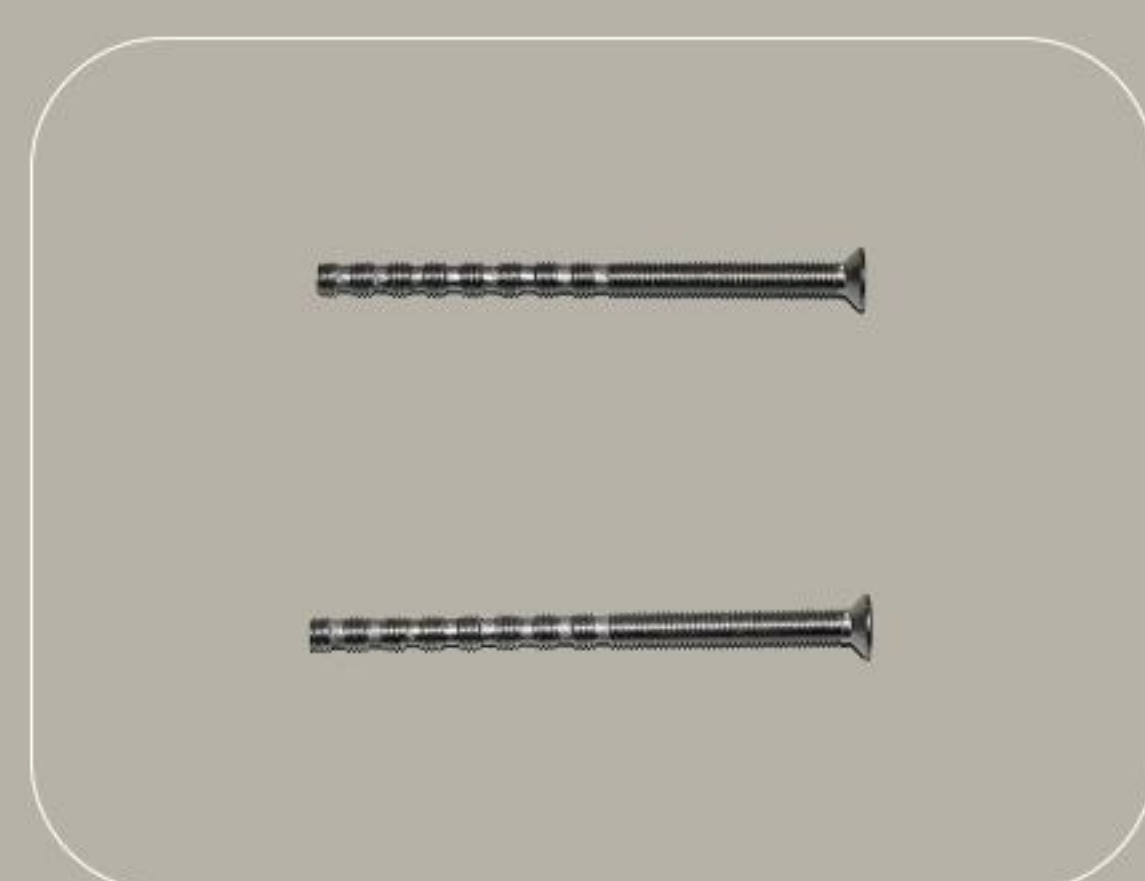
Push-pull lock strike



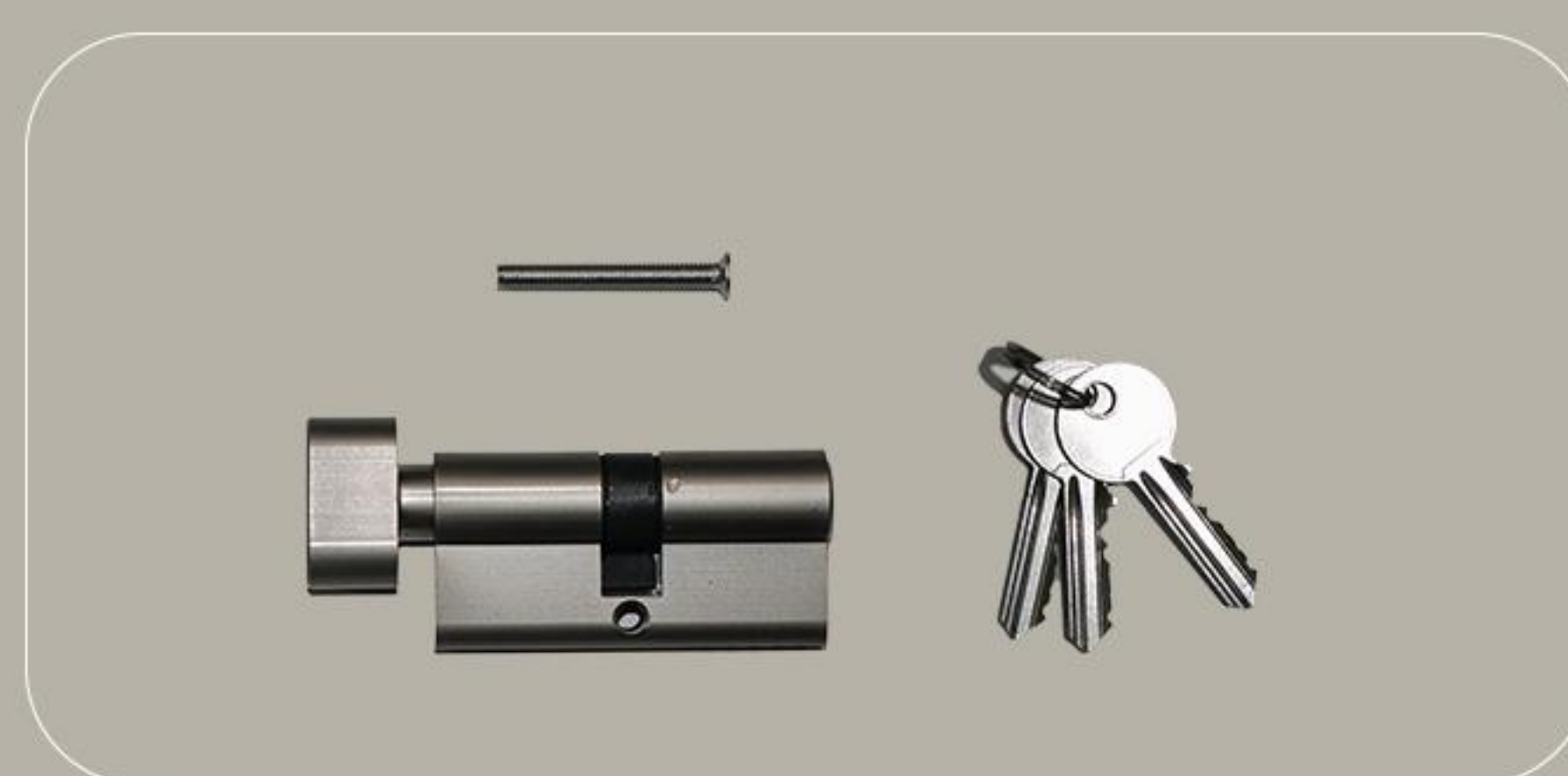
Sliding door multi-points recessed lock



Screw kit (Handle)



Screw kit (cylinder cover)



Cylinder+Key



Multi-point recessed



# 120 Series Thermal Break Electric Sliding Door

Ultra-narrow 20MM strengthened mullion, available with ultra-high and ultra-wide size, the highest height can be 6 meters, the maximum area of a single sash can be 18 square meters, special pulley structure, with a large load-bearing performance (the limit of load-bearing can be up to one ton) to push up the door lightly and smoothly!



## 8 opening method

- Face Recognition
- Mobile
- Fingerprint
- Ipad
- Remote Sharing
- Password
- Key
- Keycard

## Related accessories display

- 1 New polycarbon thermal insulation materia
- 2 Display type removable drain cover
- 3 Concealed drain hole
- 4 Realizable full hidden frame
- 5 High stability movable double steel rail bearing
- 6 20MM fantastic view
- 7 39MM super wide isolated spacing



Super Airtightness



Super Watertightness



Super Wind Pressure Resistance



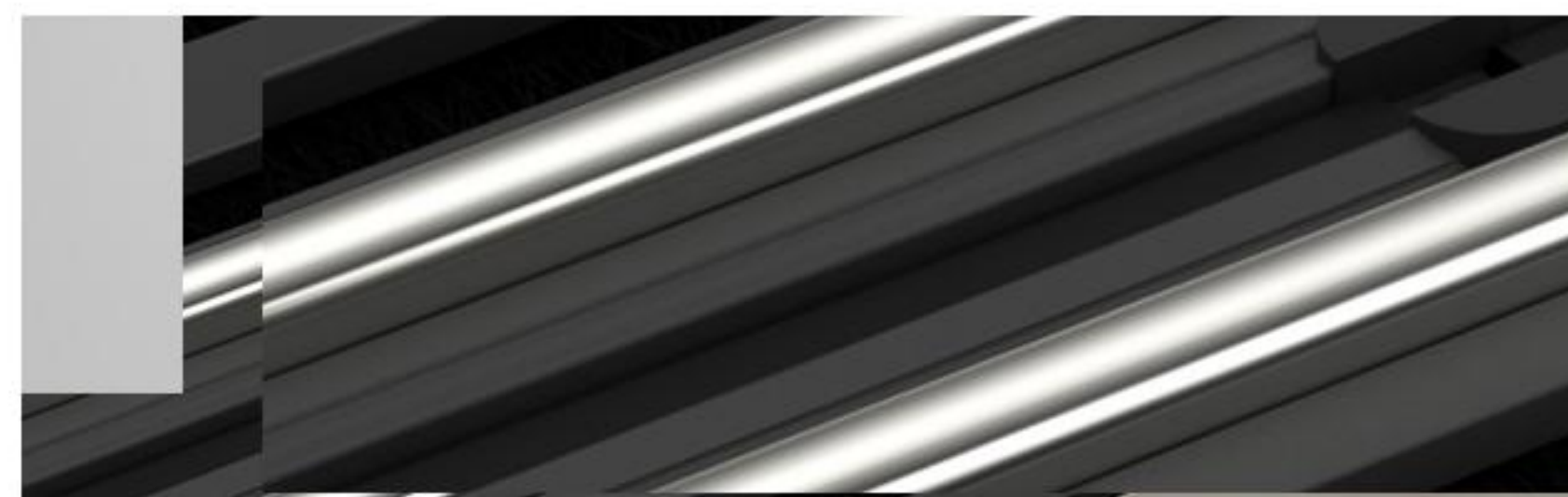
High Heat Preserving



Excellent Sound Insulation



Imported TECHNOFORM insulated strip 28MM double thermal break configuration



Multi-channel seal configuration airtight valve bead Prevent water from flooding